



# UNIVERSAL PROJECTOR MOUNT

NX-PMT40

UNIVERSAL PROJECTOR MOUNT WITH COLLAR STYLE PITCH-ROLL-TILT FUNCTIONS TO ALLOW FOR EASIER INSTALL

## SPECIFICATIONS:

- Fits projectors up to 40lbs
- Adjustable roll and pitch up to +15°
- Universal mounting pattern
- Simple to install and use
- Through pipe cable management
- Works with various projector brands
- Includes complete hardware kit
- Warranty: 5 years
- For commercial and residential applications

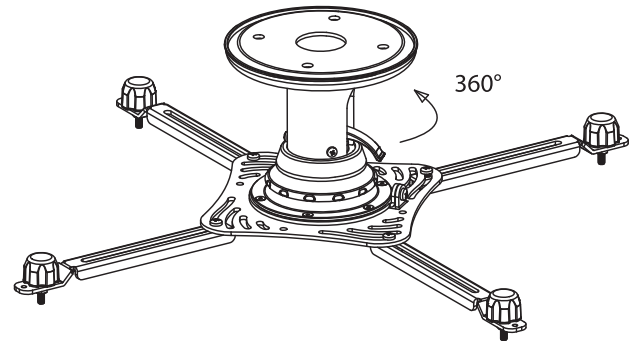
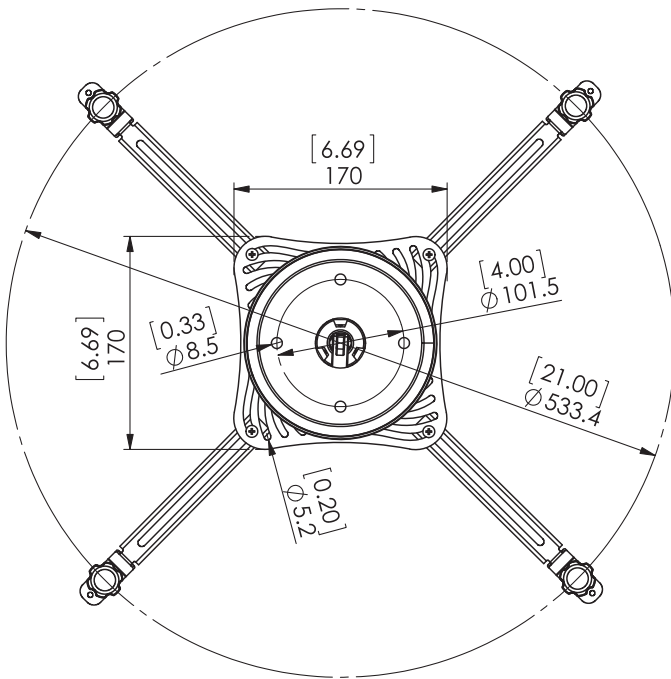
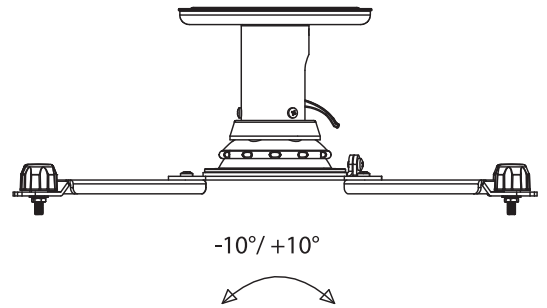
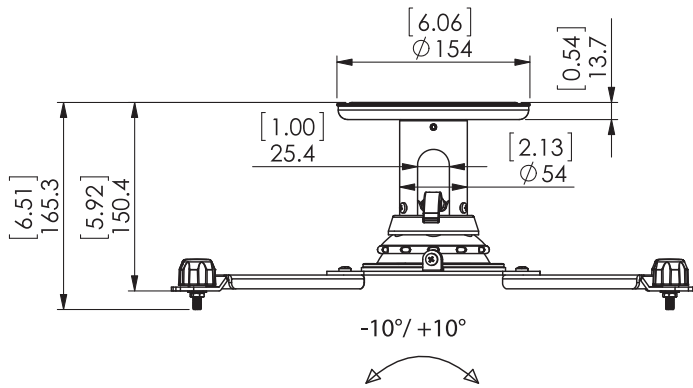
## BOX DIMENSIONS:

**PART#:** NX-PMT40  
**UPC:** 840049303171  
**LENGTH:** 5.9"  
**WIDTH:** 7.0"  
**HEIGHT:** 7.0"  
**WEIGHT:** 6.1 LBS

For more information please call 1-833-574-9124  
or email [AVARRO@adiglobal.com](mailto:AVARRO@adiglobal.com)

To learn more about AVARRO products visit  
[avarro.adiglobaldistribution.us](http://avarro.adiglobaldistribution.us)





For more information please call 1-833-574-9124  
or email AVARRO@adiglobal.com

To learn more about AVARRO products visit  
[avarro.adiglobaldistribution.us](http://avarro.adiglobaldistribution.us)